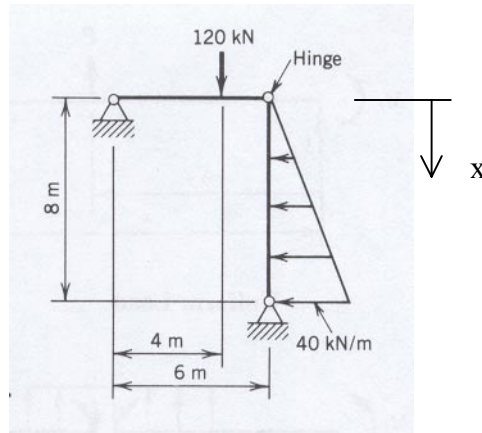


NAME: _____ SSN: _____

(1) Construct the shear and moment diagrams of the 2-member structure. Express the shear and moment of the vertical member in terms of the indicated x-coordinate.



(2) Show that the vertical reactions at a and e are, respectively, 136.25 kN and 128.75 kN. Use the method of sections to calculate the forces in members fg, fc and bc.

